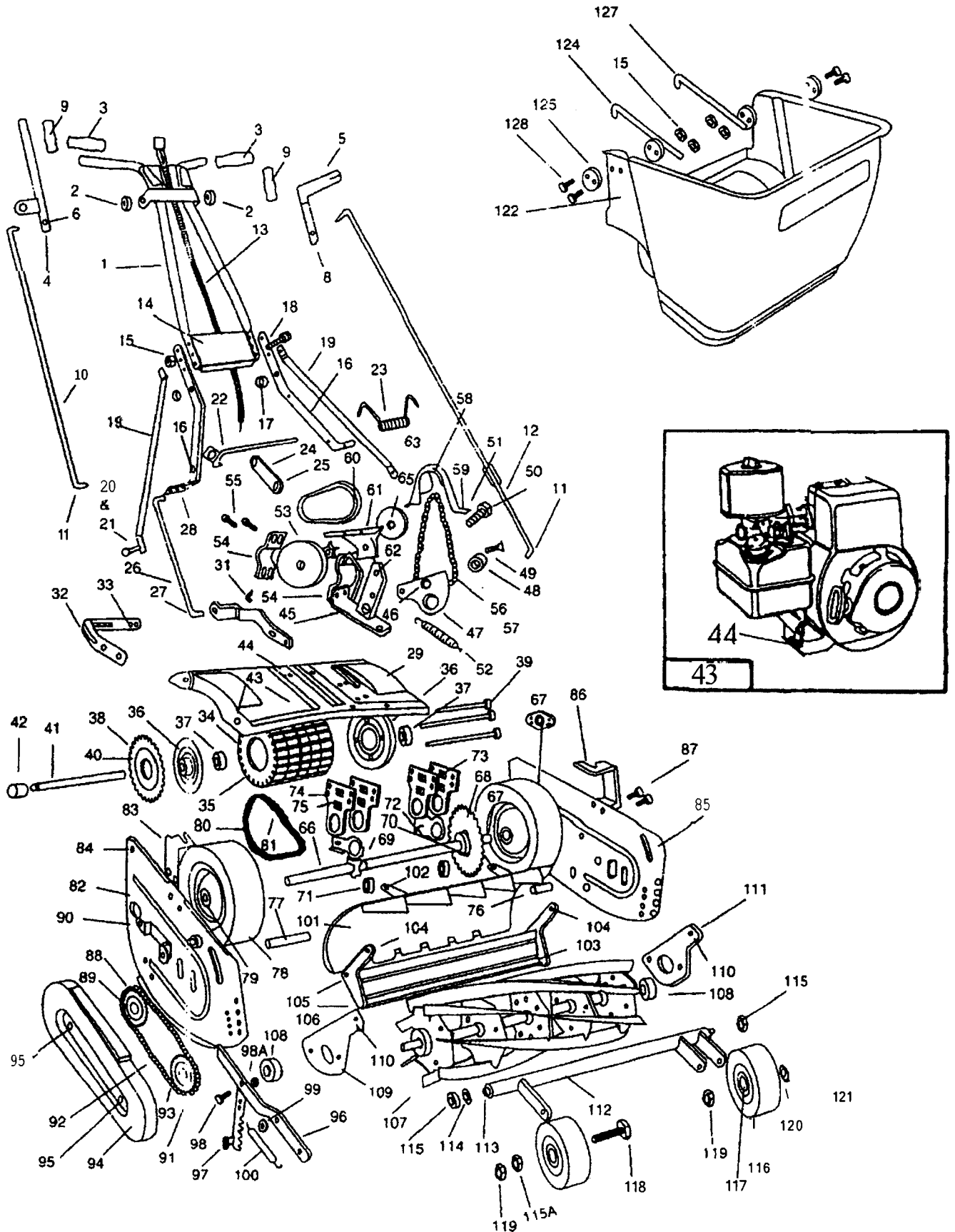


20" & 25" REEL MOWER PARTS

McLaneReelMowers.com (800) 992-0177



McLane

Parts List

20/25 Front Throw Reel Mower

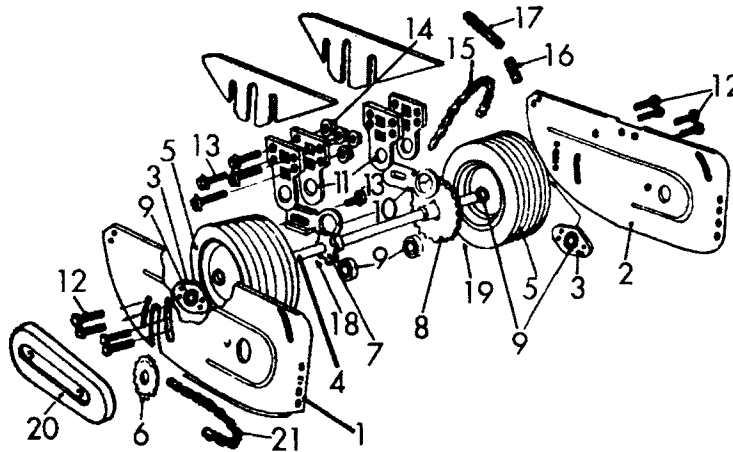
| REF NO. | PART NO. | DESCRIPTION | REF NO. | PART NO. | DESCRIPTION | REF NO. | |
|---------|----------|--|---------|----------|-------------|---|-----|
| 1 | 1001-A | Handle | 20" | 53 | 1053 | Jack Shaft with Pulley & Sprocket | 20" |
| | 4001-A | Handle w/Shoulder Bolts | 25" | | 4053-A | Jack Shaft with Pulley & Sprocket | 25" |
| 2 | 7015-A | Shoulder Bolt for Handle | ALL | 54 | 1054 | Jack Shaft Housing (2 req.) | ALL |
| 3 | 1003 | Handle Grips (2 req.) | ALL | 55 | 1028 | "5/16" - 18 x 3/4" Bolts (4 req.) | ALL |
| 4 | 1004 | Drive Control Lever | ALL | 56 | 1092 | Clutch Drive Chain - No. 41 x 46 Pitch | ALL |
| 5 | 1005-D | Clutch Control Lever | ALL | 57 | 1057 | "Connecting Link for No. 41 Chain | ALL |
| 7 | 1007 | Plastic Washer (2 req.) L & R | ALL | 58 | 1058 | Clutch Chain Guard | ALL |
| 8 | 1008 | "Lock Nuts 7/16"- 14 (2 req.) L & R | ALL | 59 | 1033 | "5/16" - 18 x 1/2" Bolts | ALL |
| 9 | 1009 | Drive & Clutch Lever Grips | ALL | 60 | 1060-B | Clutch Belt | 20" |
| 10 | 1010 | Drive Control Rod | ALL | | 1060 | Clutch Belt | 25" |
| 11 | 1011 | "Cotter Pins 1/8" x 1/2" (3 req.) | ALL | 61 | 1061 | Belt Guard | ALL |
| 12 | 1012-D | Clutch Control Rod | ALL | 62 | 1062 | "5/16" - 18 x 3/8" Bolts | ALL |
| 13 | 1013-97 | Throttle Control-Manual Choke | 20" | 63 | 1063 | Engine Pulley | 20" |
| | 1013-10B | 4.75 Engine | | | 4063 | Engine Pulley | 25" |
| | 1013-10 | 5.50 Engine | | 64 | 1064 | "Key for Engine Pulley Shaft 3/16"x3/16"x5/8" | ALL |
| | 4013 | Throttle Control Assembly | 25" | 65 | 1065 | Allen Set Screw 5/16" - 24 x 15/16" | ALL |
| 14 | 1014 | Handle Brace Plate | 20" | 66 | 1066-D | Rear Axle Shaft | ALL |
| | 4014 | Handle Brace Plate | 25" | 67 | 1067-D | Retainer | ALL |
| 15 | 1015 | "1/4 - 28 Nuts (6 req.) | ALL | 68 | 1068 | Sprocket (30 teeth with Hub) | ALL |
| 16 | 1016 | Lower Handle (2 req.) | ALL | 69 | 1069 | Sprocket (8 teeeth with Hub) | ALL |
| 18 | 1018 | "1/4 - 28 x 7/8" Bolts (6 req.) | ALL | 70 | 1070 | "Set Screws 7/16"-20x7/16" Half Dog (3 req.) | ALL |
| 19 | 1019 | Handle Brace (2 req.) L & R | 20" | 71 | 1071 | Axle Support Bearing (2 req.) | ALL |
| | 4019 | Handle Brace (2 req.) L & R | 25" | 72 | 1072 | Roller Bracket Supports (2 req.) | ALL |
| 20 | 1020 | "1/4 - 28 5/8" Bolts (2 req.) L & R | ALL | 73 | 1073 | Axle Hangers (4 req.) | ALL |
| 21 | 1015 | "1/4 - 28 Nuts (2 req.) L & R | ALL | 74 | 1074 | "Hanger Bolts 5/16"-24 x 7/8" (8 req.) | ALL |
| 22 | 1022 | Drive Pivot Rod | 20" | 75 | 1075 | "5/16" - 24 Nuts (12 req.) | ALL |
| | 4022 | Drive Pivot Rod | 25" | 76 | 1076-P | Spacer | ALL |
| 23 | 1023 | Drive Pivot Spring | 20" | 77 | 1077-P | Spacer | ALL |
| | 4023 | Drive Pivot Spring | 25" | 78 | 1078-S | Rear Wheels w/Bearings (2 req.) | ALL |
| 24 | 1024 | Drive Pivot Arm | ALL | | 6058 | Bearing For 1078-S | ALL |
| 25 | 1025 | "Set Screw 3/8"- 16 x 1/2 Square Head | ALL | 79 | 1037-D | Retainer Bearing | ALL |
| 26 | 1026 | Lower Drive Cotnrol Rod | ALL | 80 | 1080 | "Roller Drive Chan No. 41-36 Pitch | ALL |
| 27 | 1011 | "Cotter Pin 1/8" x 1/2" | ALL | 81 | 1057 | "Connecting Link No. 41 | ALL |
| 28 | 1028 | "5/16 - 18 x 3/4" Bolts (4 req.) L & R | ALL | 82 | 5001 | Slide Plate w/Chain Guard Bracket | ALL |
| 29 | 1029 | Deck | 20" | 83 | 1083 | Catcher Hook Bracket | ALL |
| | 4029 | Deck | 25" | 84 | 1028 | "5/16" - 18 x 3/4" Bolts (4 req.) | ALL |
| 30 | 1030 | Handle Brackets (2 req.) | ALL | 85 | 5002 | Slike Plate | ALL |
| 31 | 1031 | Roller Support Bracket with Bearing | 20" | 86 | 1086 | Catcher Hook Bracket | ALL |
| | 4031 | Roller Support Bracket with Bearing | 25" | 87 | 1028 | "5/16 - 18 x 3/4" Bolts (4 req.) | ALL |
| 32 | 1032 | Roller Support Bracket | 20" | 88 | 1088 | Sprocket (17 teeth) | ALL |
| | 4032 | Roller Support Bracket | 25" | 89 | 1070 | "Set Screws 7/16"-20x7/16" Half Dog (4 req.) | ALL |
| 33 | 1033 | "5/16 - 18 x 1/2" Bolts (2 req.) | ALL | 90 | 1033 | "5/16" - 18 x 1/2" Bolts (2 req.) | ALL |
| 34 | 1034 | Roller Drive Tube | 20" | 91 | 1091-A | Sprocket (13 teeth) | ALL |
| | 4034 | Roller Drive Tube | 25" | 92 | 1092 | "Reel Drive Chain No. 41-46 Pitch | ALL |
| 35 | 1035 | Roller Drive Tires (5 req.) | 20" | 93 | 1057 | "Connecting Link No. 41 | ALL |
| | 4035 | Roller Drive Tires (6 req.) | 25" | 94 | 1094 | Chain Guard | ALL |
| 36 | 1036 | Roller End Caps (2 req.) | ALL | 95 | 1033 | "5/16 - 18 x 1/2" Bolts (2 req.) | ALL |
| 37 | 1037 | Ind Cap Bearings (2 req.) | ALL | 96 | 1096 | Height Adjustment Lever | ALL |
| 38 | 1038 | Roller Drive Sprocket (30 teeth) | ALL | 97 | 1097 | Height Adjustment Notched Bracket | ALL |
| 39 | 1039 | Roller Drive Bolts (3 req.) | 20" | 98 | 7050 | "5/16 - 18 x 3/4" Bolt | ALL |
| | 4039 | Roller Drive Belts (3 req.) | 25" | 98A | 1075-A | 5/16" - 18 Nut | ALL |
| 40 | 1015 | "1/4" - 28 Drive Nuts (6 req.) | ALL | 99 | 1099 | Spacer Bushing | ALL |
| 41 | 1041 | Roller Drive Shaft | 20" | 100 | 1100 | Height Adjustment Spring | ALL |
| | 4041 | Roller Drive Shaft | 25" | 101 | 1101-2 | Shield | 20" |
| 42 | 1042 | Spacer | 20" | | 1101-A | Shield Assembly Hardware | 20" |
| | 4042 | Spacer | 25" | | 4101-2 | Shield | 25" |
| 43 | 1043-A | Engine, State Model | ALL | | 4101-A | Assembly Hardware | 25" |
| 44 | 1044 | "5/16 - 24 x 1-1/2" Bolts (4 req.) | ALL | 102 | 1033 | "5/16 - 18 x 1/2" Bolts (2 req.) | ALL |
| 45 | 1045-D | Main Clutch Body | ALL | 103 | 1103-A | Bed Knife | 20" |
| 46 | 1046-D | Clutch Rod Bearing | ALL | | 4103-A | Bed Knife | 25" |
| 47 | 1047-D | Belt Idler Arm | ALL | 104 | 1028 | "5/16 - 18 x 3/4" Bolts (2 req.) | ALL |
| 48 | 1048-D | Idler Bearing | ALL | 105 | 1105 | Tapered Bolts 5/16" - 18 x 5/8" (6 req.) | ALL |
| 49 | 1049 | "3/8 - 16 1/2" Flat Head Phillips Head Screw | ALL | 106 | 1106 | Bushing for Tapered Bolt (6 req.) | ALL |
| 50 | 7015-A | Bolt for Clutch Body | ALL | 107 | 1107 | Reel Assembly 7 Blade | 20" |
| 51 | 1051 | Washer | ALL | | 4107 | Reel Assembly 7 Blade | 25" |
| 52 | 1052-D | Clutch Spring w/Spring Plate | ALL | 108 | 1108 | Reel Bearings (2 req.) | ALL |

| REF. PART NO. NO. | DESCRIPTION | USED ON | REF. PART NO. NO. | DESCRIPTION | USED ON |
|-------------------|----------------------------------|---------|-------------------|-------------------------------------|---------|
| 109 1109 | Reel Bearing Retainer | ALL | 118 4118 | 7/16" - 14 x 6" Bolt | 25" |
| 110 1033 | *5/16 - 18 x 1/2" Bolts (2 req.) | ALL | 119 1008 | *7/16" - 14 Nuts (2 req.) | ALL |
| 111 1111 | Reel Bearing Retainer | ALL | 120 1120 | Flat Washer | ALL |
| 112 1112 | Front Wheel Assembly Bar | 20" | 121 1121 | *7/16" - 14 x 3-1/4" Bolt | 20" |
| | 4112 Front Wheel Assembly Bar | 25" | 121 4121 | 7/16" - 14 x 5-1/4" Bolt | 25" |
| 113 1113 | Tie Rod | 20" | 122 1122 | Plastic Grass Catcher | 20" |
| | 4113 Tie Rod | 25" | 122 4122 | Grass Catcher | 25" |
| 114 1007 | Plastic Washer | ALL | 124 1124 | Catcher Hook | ALL |
| 115 1008 | *7/16" - 14 Nuts (2 req.) | ALL | 125 3065 | Washer | ALL |
| 115A 1008-A | *7/16" - 14 Jam Nuts (2 req.) | ALL | 127 1127 | Catcher Hook | ALL |
| 116 1116 | Front Wheel with Bearings | ALL | 128 1028 | 1/4" - 28 x 7/8" Bolt (4 req.) | ALL |
| 117 1002 | Front Wheel Bearings (2 req.) | ALL | N/S 3122** | Owner's Handbook - Repair Parts | ALL |
| 118 1118 | *7/16" - 14 x 3-1/2" Bolt | 20" | N/S 1202E** | Engine Operating Instruction Manual | ALL |

*Standard Hardware items, may be purchased locally.

** NOT SHOWN

FRONT THROW REEL MOWER PARTS



| REF. PART NO. NO. | DESCRIPTION | USED ON | REF. PART NO. NO. | DESCRIPTION | USED ON |
|-------------------|------------------------------------|---------|-------------------|--------------------------------|---------|
| 1 5001 | Sideplate (Right) | ALL | 11 5011 | Axle Hangers | ALL |
| 2 5002 | Sideplate (Left) | ALL | 12 1033 | 5/16"-18x1/2" Bolt | ALL |
| 3 5003 | Sideplate Bearing Retainer | ALL | 13 1074 | 5/16"-24x7/8" Bolt | ALL |
| 4 5004 | Rear Axle | 20" | 14 1075 | 5/16"-24 Nut | ALL |
| | 5004-B Rear Axle | 25" | 15 1056 | Clutch Drive Chain-44 Pitch | ALL |
| 5 5005 | Rear Wheel w/ Bearings - ea | 20" | 16 5016 | 2-Link #41 Chain w/Master Link | ALL |
| | 5005-A Rear Wheel w/ Bearings - ea | 25" | 17 5017 | 4-Link #41 Chain w/Master Link | ALL |
| 6 5006 | Sprocket (17 Teeth) | ALL | 18 5018 | Spacer Right | 20" |
| 7 5007 | Spoket (8 Teeth) | ALL | | 5018-B Spacer Right | 25" |
| 8 5008 | Sprocket (30 Teeth) - 20" | 20" | 19 5019 | Spacer Left | 20" |
| | 5008-B Sprocket (30 Teeth) - 25" | 25" | | 5019-B Spacer Left | 25" |
| 9 1008 | Sealed Bearing (8 Req) | ALL | 20 1094 | Chain Guard | ALL |
| 10 5010 | Roller Bearing Supports | ALL | 21 1092 | Sideplate Chain | ALL |