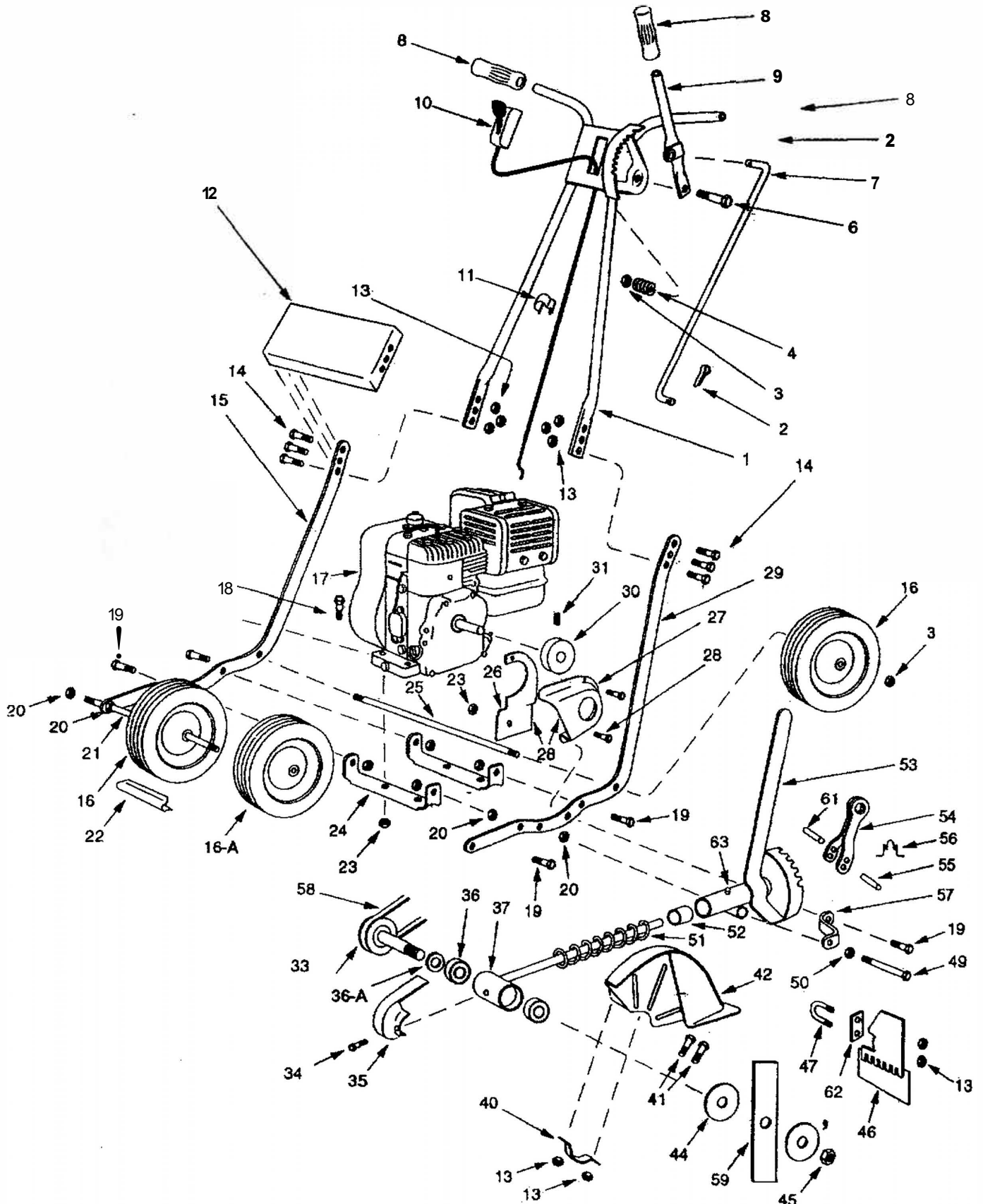


Lawn Edger Parts Illustration

ORDER FROM:
McLaneReelMowers.com
DOLPHIN Outdoor Power Equipment, Inc.
Phone: (352) 486-1040
Sales@DolphinOPE.com



Parts List

Lawn Edger and Trimmer

REF NO.	PART NO.	DESCRIPTION	REF NO.	PART NO.	DESCRIPTION
1	2001	Handle	53	2053	Body, Cutterhead
2	1011	Pin, Cotter 1/8x3/4 (2 Req)	54	2054	Lever, Angle Shifting
3	1008	Nut Lock Hex 7/16"-14 (4 Req)	55	2055	Pin 5/16x2
4	2004	Spring	56	2056	Spring
6	2006	Bolt, Hex 7/16-14x2	57	2057	Brace Cutterhead
7	2007	Rod, Clutch & Depth	58	2058	Drive Belt (4L-300)
8	1009	Grip (3 Req)	59	2059	Cutting Blade
9	2009	Lever, Clutch & Depth	61	2061	1-1/4 Pin
10	1013-97	1013-97-10-L	62	2062	U-Clamp Spacer
11	1013-HD	10-32x1/2 Bolt (2 Req) Nut 10-32 (2 Req)	63	2063	Grease Fitting
12	1014	Cross Brace For Handle		1002	Handle And Wheel Bearing
13	1015	Nut 1/4-28 Hex (10 Req)		2067	Cutting Head Complete
14	1018	Bolt 1/4-28x7/8 Hex (6 Req)			Includes Part Nos: 33, 53, 51, 52, 54, 55, 56, 61, 37, (2)63, (2)36
15	2015	Frame, Right Hand 6" & 7"			
	2015-8	Frame, Right Hand 8"			
17	1043	Engine (State Model No.)			
18	2018	Bolt 5/16-24x1-1/2 (4 Req)			
19	1074	Bolt 5/16-24x7/8 Hex (5 Req)			
20	2020	Nut 7/16-14 Hex (3 Req)			
21	2021	Front Axle 7" Wheels			
23	1075	Nut 5/16-24 Hex (9 Req)			
24	2024	6" & 7" Frame Crossmember			
26	2026	Bracket, Engine Pulley Guard			
27	2027	Guard, Engine Pulley			
	2066	Engine Pulley Guard & Bracket Complete			
28	2028	Screw #10 x 1/2 Sheet Metal (4 Req)			
29	2029	6" & 7" Frame Left Hand			
30	1063	Engine Pulley			
30	1063-A	3/4" Engine Pulley Honda Engine			
31	1065	Set Screw 5/16-24x5/16	2101-N		Curb Wheel Attachment
33	2033	Cutterhead Pulley & Shaft Comp.	2059-3		3-Pack Edger Blade
34	2034	Screw 1/4-20x1/2 Hex	2059-HD		Heavy Duty Cutting Blade 2"x9"
35	2035	Cutterhead Pulley Guard	•2059-HD-10		Heavy Duty Cutting Blade 2"x10"
36	2036	Cutterhead Bearing (2 Req)	2059-A		Edger Lift Handle For B&S Engine
36A	2043	Spring Washer (New 01/87)			
37	2037	Mandrel, Head	2040-A		Blade Guide
40	2040	Clamp, Blade Guard			
41	2041	Bolt 1/4-28x1-1/2 Hex (2Req)			
42	2042	Blade Guard Main			
	2064	Complete Blade Guard			
44	2044	Washer. Friction (2Req)			
45	2045	Nut 1/2-20			
46	2046	Deflector, Debris Sweep			
47	2047	U-Clamp			
	2065	Complete Debris Guard			
49	2049	Pivot Bolt			
50	1120	Flat Washer 7/16			
51	2051	Spring Head Recoil			
52	2052	Cup			

ACCESSORIES

Parts List

Lawn Edger and Trimmer

REF NO.	PART NO.	DESCRIPTION	REF NO.	PART NO.	DESCRIPTION
2101 REPLACEMENT PARTS			WIDE TIRE WHEEL REPLACEMENT PARTS		
	2101-7	Axle For Edgers With 7" Wheels	16	2016-7	7" Steel Wheel Assembly (For 100 Series Only)
	2101-8	Axle For Edgers With 8" Wheels	16	7058-7	7" Rear Wheel Complete w/Bearings
	2100-A	Plate For 2100	16-A	7075-7	7" Front Wheel Complete w/Bearings
	3066	Bolt For 2100 (2)		7060	7" Wheel Bearing Only (2)
	1008	Lock Nut (2)		7061-7	? Tire Only
	2020	Nut 7/16"-14 (4)		7062-7	7" Rear Wheel Rim Only
	1120	Washer (2)		7065-7	7" Front Wheel Rim Only
	7075-7	Complete Wheel w/Bearings	22	2022-A	7" Front Wheel Spacer (2-13/16" Use With 7075-7 Wheels)
	1008	Jam Nut (2)	25	2025-A	7" Rear Axle (11-3/8") (Use With 7058-7 Wheels)

****NOTE: THE 10" HEAVY DUTY EDGER BLADES CAN ONLY BE USED ON McLANE EDGERS ONLY FOR VERTICAL AND ANGLE EDGING. HORIZONTAL TRIMMING MUST NOT BE ATTEMPTED.**

When ordering parts, be sure to specify model and part number. Do not order by Ref. No.